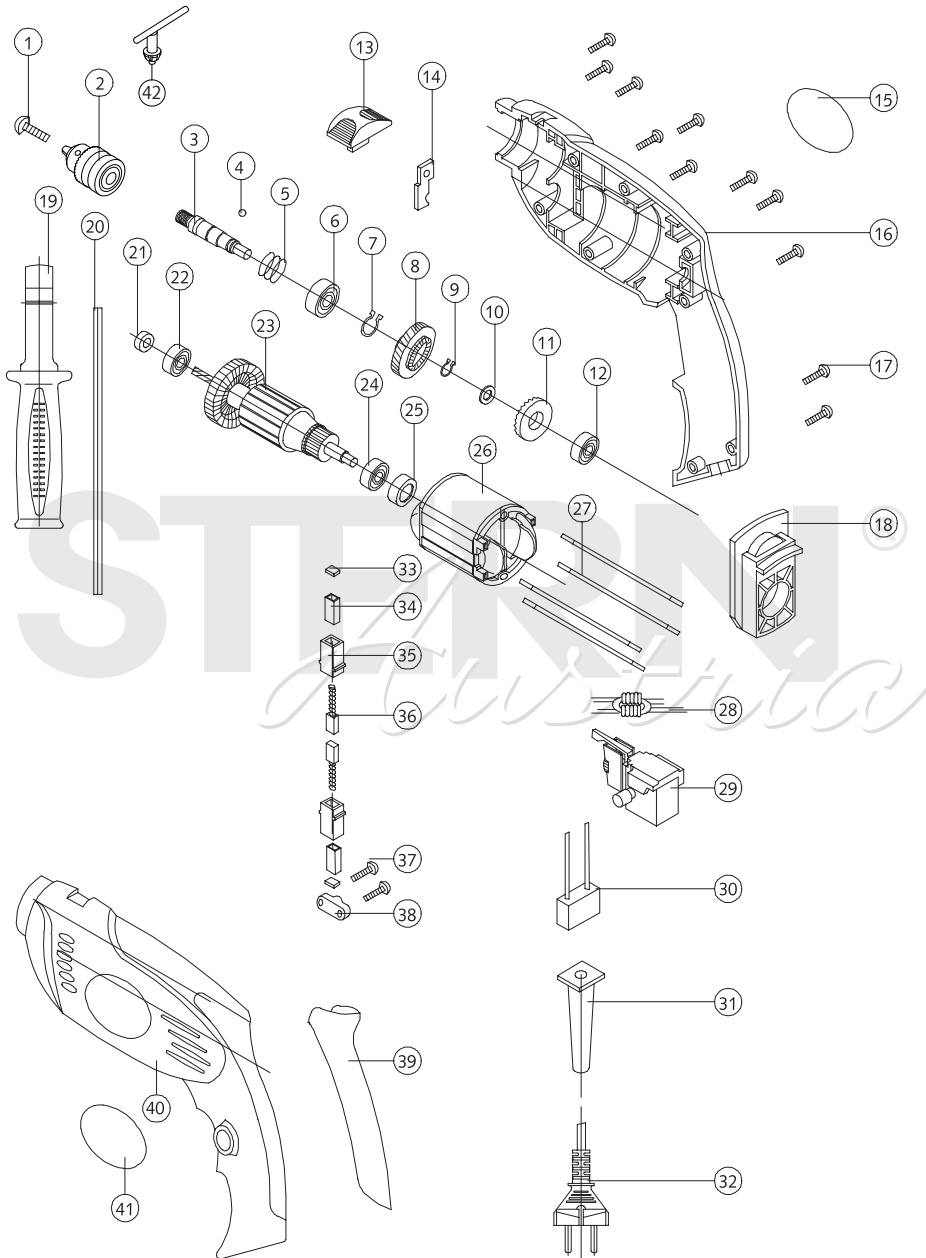


STERN® *Austria*

IMPACT DRILL ID13M



STERN® *Austria*

IMPACT DRILL ID13M

NO.	DESCRIPTION	NO.	DESCRIPTION
1	CHUCK SCREW	22	BEARING 608
2	DRILL CHUCK	23	ROTOR
3	OUTPUT SHAFT	24	BEARING 607
4	STEEL BALL	25	BEARING COVER
5	SPRING	26	STATOR
6	BEARING 6001	27	WIRE FOR STATOR
7	CIRCLIP FOR SHAFT	28	INDUCTOR
8	BIG GEAR	29	SWITCH
9	CIRCLIP FOR SHAFT	30	CAPACITOR
10	PLAIN WASHER	31	CORD SLEEVE
11	IMPACT GEAR	32	CORD&PLUG
12	BEARING 608	33	BRUSH HOLDER COVER
13	DRILL/IMPACT BUTTON	34	BRUSH HOLDER NESTING
14	CHANGE PLATE	35	BRUSH HOLDER
15	TRADEMARK	36	CARBON BRUSH
16	RIGHT HOUSING	37	SCREW
17	SCREW	38	CORD CLAMP
18	CENTRAL SUPPORT	39	HOUSING COVER
19	SIDE HANDLE	40	LEFT HOUSING
20	DEPTH GAUGE	41	NAME PLATE
21	OIL-PROOF RING	42	CHUCK KEY

080514