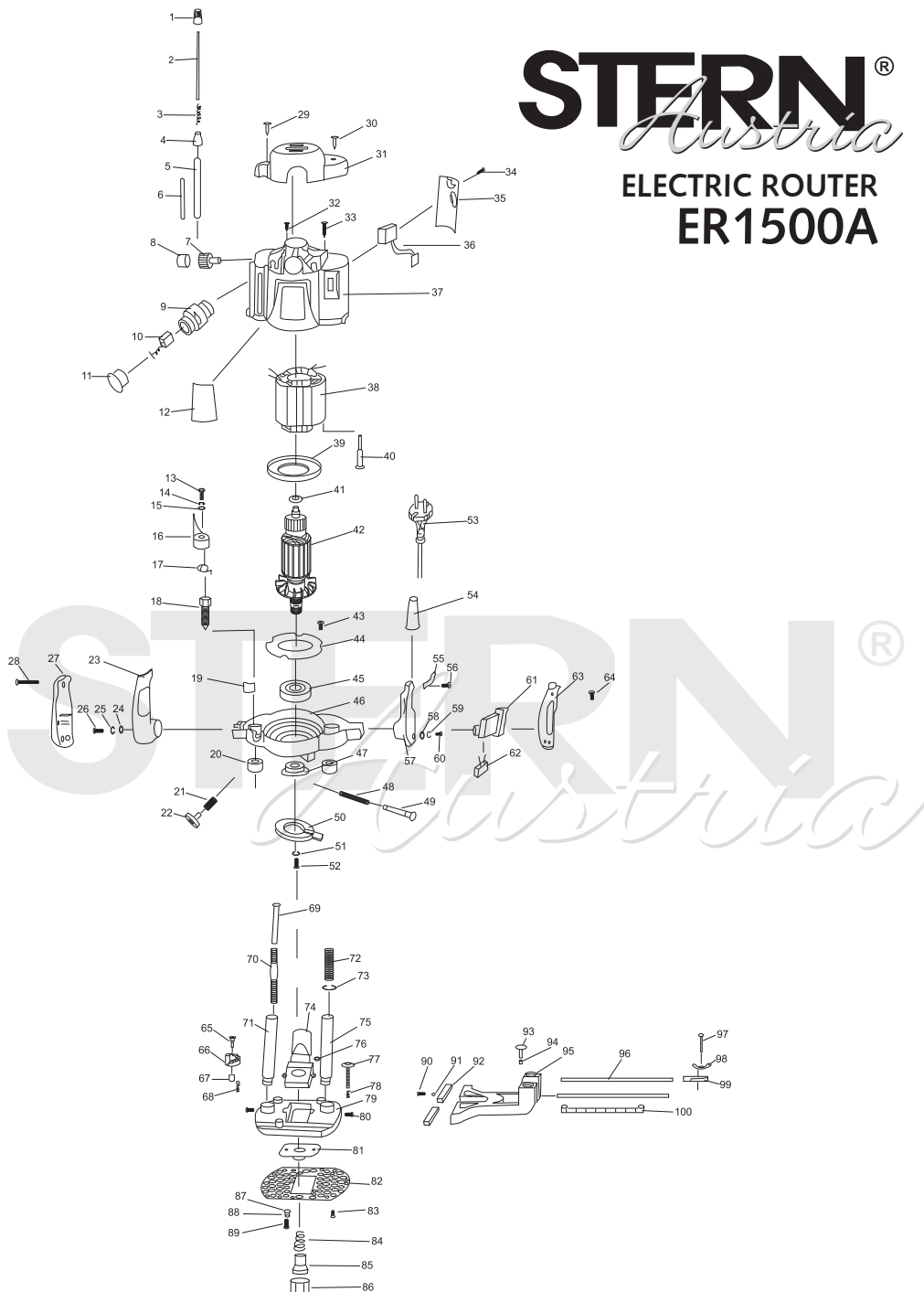


STERN® *Austria* ELECTRIC ROUTER ER1500A



STERN® ELECTRIC ROUTER *Austria* ER1500A

NO.	DESCRIPTION	NO.	DESCRIPTION	NO.	DESCRIPTION
1	DYNAMIC ADJUSTING KNOB	35	HOUSING CASE BAFFLE	69	RISE AND DROP GUIDE POLE
2	ADJUSTING POLE	36	CIRCUIT BOARD	70	SPRING OF GUIDE POLE
3	SPRING	37	HOUSING	71	STANDING POLE A
4	STATIC ADJUSTING KNOB	38	STATOR	72	SPRING
5	KNOB RULE	39	WIND GUARD	73	RING SPRING
6	KNOB RULE SCALE	40	SELF-TAPPING SCREW	74	DUST EJECTOR
7	GEAR KNOB	41	BEARING 629Z	75	STANDING POLE B
8	HOLE STOPPLE OF GEAR KNOB	42	ROTOR	76	NUT
9	BRUSH HOLDER	43	PLAIN-HEAD SCREW	77	LOCKING KNOB
10	CARBON BRUSH	44	BEARING PRESS BOARD	78	SPRING
11	BRUSH CAP	45	BEARING 6004Z	79	BASE
12	LABEL	46	MIDDLE FRAME	80	SCREW
13	SCREW	47	ROTOR FIXED NUT	81	GUIDE BUSH
14	SPRING WASHER	48	SPRING	82	BASE BOARD
15	PLAIN WASHER	49	RADIAL SELF-LOCKING PIN	83	SCREW
16	HEIGHT-WAITING KNOB	50	MIDDLE FRAME COVER	84	SPRING
17	TWIST SPRING	51	SPRING WASHER	85	COLLET
18	COPPER SCREW	52	SCREW	86	COLLET NUT
19	INNER BUSH OF POLE	53	CABLE	87	PLAIN WASHER
20	GUIDING BUSH OF STANDING POLE	54	CABLE SLEEVE	88	SPRING WASHER
21	SPRING	55	CABLE CLAMP	89	SCREW
22	LOCKING KNOB FOR ADJUSTING POLE	56	SELF-TAPPING SCREW	90	SCREW
23	HANDLE A	57	SWITCH SIDE HANDLE A	91	PLAIN WASHER
24	PLAIN WASHER	58	PLAIN WASHER	92	PLASTIC BOARD
25	SPRING WASHER	59	SPRING WASHER	93	KNOB
26	SCREW	60	SCREW	94	SPRING
27	HANDLE B	61	SWITCH	95	LINEAR MOVING RACK
28	SELF-TAPPING SCREW	62	CAPACITOR	96	GUIDE POLE
29	SELF-TAPPING SCREW	63	SWITCH SIDE HANDLE B	97	SCREW
30	SELF-TAPPING SCREW	64	SELF-TAPPING SCREW	98	BUTTERFLY NUT
31	BACK COVER	65	SCREW	99	COLLET BUSH
32	SELF-TAPPING SCREW	66	HEIGHT-SETTING BLOCK	100	LEVEL RULE
33	SELF-TAPPING SCREW	67	STEEL BALL		
34	SELF-TAPPING SCREW	68	SPRING		