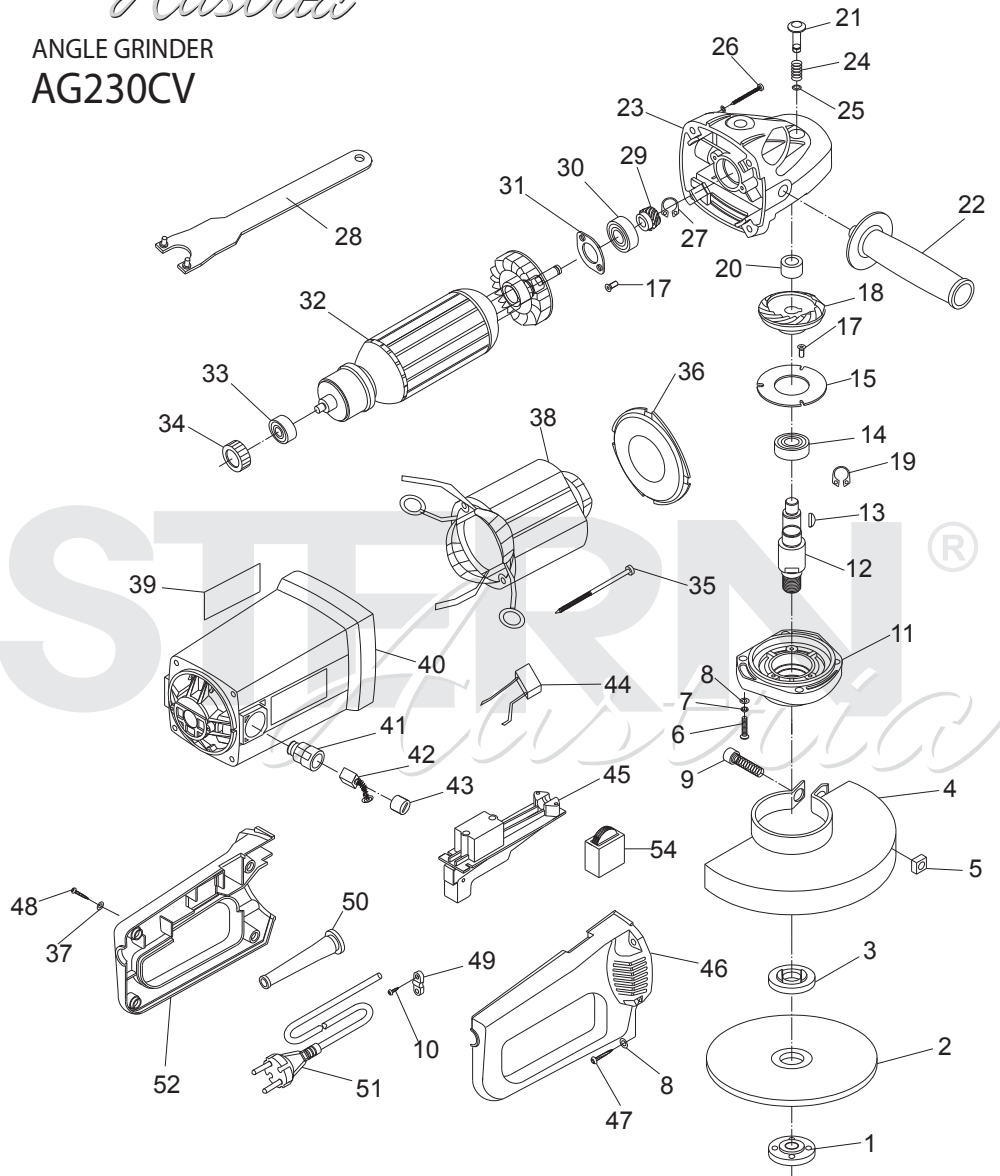


STERN® *Austria*

ANGLE GRINDER
AG230CV



STERN® *Austria*

ANGLE GRINDER
AG230CV

NO.	DESCRIPTION	NO.	DESCRIPTION
1	OUTER FLANGE	28	SPANNER
2	GRINDING WHEEL	29	PINION
3	INNER FLANGE	30	BEARING 6001Z
4	WHEEL GUARD	31	BEARING COVER
5	NUT	32	ROTOR
6	SCREW	33	BEARING 629Z
7	SPRING WASHER	34	BEARING BUSH
8	PLAIN WASHER	35	SCREW
9	SCREW	36	WIND GUARD
10	SCREW	37	PLAIN WASHER
11	FORE COVER	38	STATOR
12	SPINDLE	39	NAME PLATE
13	KEY	40	HOUSING
14	BEARING 6202Z	41	BRUSH HOLDER
15	BEARING COVER	42	CARBON BRUSH
17	SCREW	43	BRUSH CAP
18	GEAR	44	CAPACITOR
19	CIRCLIP	45	SWITCH
20	OIL BUSH	46	HANDLE A
21	SPINDLE LOCK	47	SCREW
22	HANDLE	48	SCREW
23	GEAR BOX	49	CORD CLAMP
24	LOCK SPRING	50	CORD SLEEVE
25	CIRCLIP	51	CORD
26	SCREW	52	HANDLE B
27	CIRCLIP	54	VARIABLE SPEED CONTROLLER