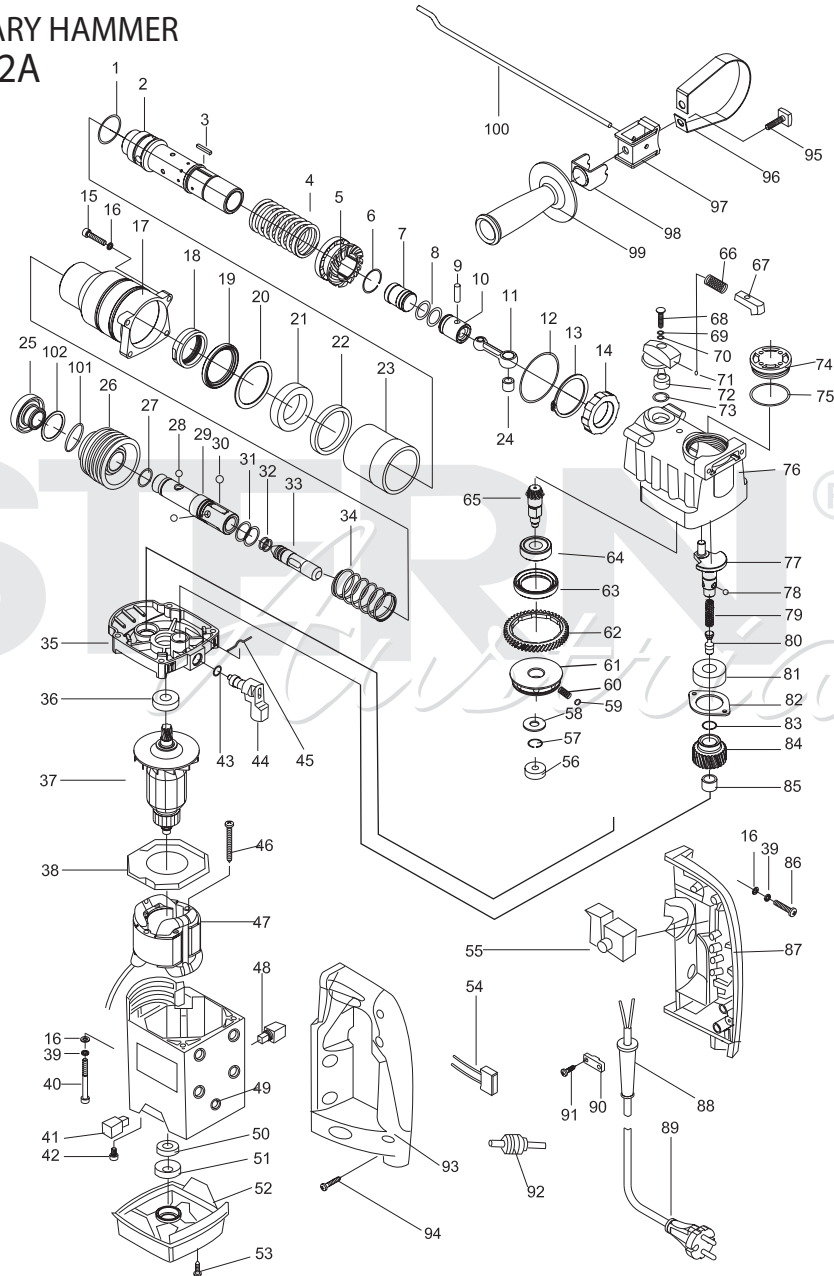


# STERN® *Austria*

## ROTARY HAMMER RH32A



# STERN® ROTARY HAMMER *Austria* RH32A

NO.	DESCRIPTION	NO.	DESCRIPTION	NO.	DESCRIPTION
1	"O"RING	35	GEAR BOX	69	SPRING WASHER
2	CYLINDER	36	BEARING 6001Z	70	PLAIN WASHER
3	KEY	37	ROTOR	71	SELECTOR KNOB
4	SPRING	38	WIND GUIDER	72	ROTATING PIN
5	BIG BEVEL GEAR	39	SPRING WASHER	73	CIRCLIP
6	CIRCLIP	40	SCREW	74	OIL COVER
7	RAM	41	BRUSH HOLDER	75	"O"RING
8	"O"RING	42	INSERT SHEET	76	CRANK SHAFT BOX
9	PISTON PIN	43	"O"RING	77	CRANK SHAFT
10	PISTON	44	SELECTOR LEVER	78	STEEL BALL
11	CONNECTING ROD	45	CIRCLIP	79	SPRING
12	"O"RING	46	TAPPING SCREW	80	CLUTCH SHAFT
13	CIRCLIP	47	STATOR	81	BEARING 6202Z
14	OIL BEARING	48	CARBON BRUSH	82	BEARING COVER
15	HEX SCREW	49	MOTOR HOUSING	83	CIRCLIP
16	PLAIN WASHING	50	BEARING 608Z	84	FIRST GEAR
17	CYLINDER BOX	51	BEARING BUSH	85	NEEDLE BEARING HK1210
18	CYLINDER COVER	52	REAR COVER	86	SCREW
19	OIL SEAL	53	TAPPING SCREW	87	RIGHT HANDLE
20	WASHER	54	CAPACITOR	88	CORD SLEEVE
21	BEARING 61907Z	55	SWITCH	89	CORD&PLUG
22	PLASTIC RING	56	BEARING 627Z	90	CORD ANCHORAGE
23	PLASTIC BUSHING	57	CIRCLIP	91	TAPPING SCREW
24	NEEDLE BEARING HK0810	58	WASHER	92	INDUCTOR
25	FRONT COVER	59	STEEL BALL	93	LEFT HANDLE
26	SLIDER LOCKING SLEEVE	60	SPRING	94	TAPPING SCREW
27	"O"RING	61	WHEEL CORE	95	BOLT
28	STEEL BALL	62	SECOND GEAR	96	LOCKING RING
29	RETAINER SLEEVE	63	CIRCLIP	97	HANDLE LOCK
30	STEEL BALL	64	BEARING 6002Z	98	FIXING BLOCK
31	"O"RING (A)	65	SMALL BEVEL GEAR	99	AUXILIARY HANDLE
32	"O"RING(B)	66	SPRING	100	DEPTH ROD
33	SECOND STRIKER	67	FIXED PLATE	101	WASHER
34	SPRING	68	SCREW	102	CIRCLIP